



VAT Vakuumventile AG
CH-9469 Haag, Schweiz

Product data sheet
HV gate valve, Series 091, DN 63 (ID 2½'')
Ordering No. 09136-PE24

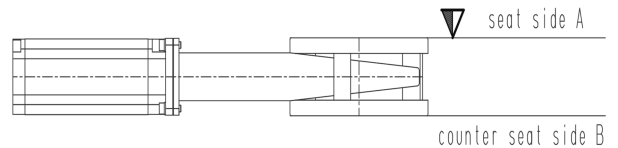
Description

Flange	ISO-F 63
Actuator	pneumatic, double acting – with position indicator
Feedthrough	Bellows feedthrough

Technical data

Leak rate	
– Valve body	$< 1 \cdot 10^{-9} \text{ mbar ls}^{-1}$
– Valve seat	$< 1 \cdot 10^{-7} \text{ mbar ls}^{-1}$
Pressure range	$1 \cdot 10^{-8} \text{ mbar}$ to 1.2 bar (abs)
Differential pressure on the gate	$\leq 1.2 \text{ bar}$
Conductance (molecular flow)	430 ls^{-1}

Max. differential pressure at opening in closing and opening direction with influence to the cycle life



– Higher pressure on seat side A, the differential pressure acts in opening direction	$\leq 1.0 \text{ bar}$ with full cycle life
– Higher pressure on counter seat side B, the differential pressure acts in closing direction	$\leq 30 \text{ mbar}$ with full cycle life
– Higher pressure on counter seat side B, the differential pressure acts in closing direction	$\leq 1.0 \text{ bar}$ with reduced cycle life
Cycles until first service	5 000 (unheated and under clean conditions)
Bellows cycles	100 000 (unheated and under clean conditions)
Bake-out temperature	
– Valve body	$\leq 150 \text{ }^\circ\text{C}$ (bake-out max. 24h)
– Actuator	$\leq 100 \text{ }^\circ\text{C}$
– Position indicator	$\leq 60 \text{ }^\circ\text{C}$

Created by: LOO	Release date: 19.01.2015	1/3
Modified by:	Release date:	783721EA



VAT Vakuumventile AG
CH-9469 Haag, Schweiz

Product data sheet
HV gate valve, Series 091, DN 63 (ID 2½'')
Ordering No. 09136-PE24

Heating and cooling rate	50 °C h ⁻¹
Material	
– Valve body	AISI 304 (1.4301)
– Gate	AISI 304 (1.4301), (1.4308)
– Parts (in contact with media)	A2 Ni-Teflon coated, PEEK
– Bellows	AISI 633, (AM350)
Seal	
– Bonnet	FKM (Viton [®])
– Gate	FKM (Viton [®])
– Actuator	FKM (Viton [®])
Mounting position	any
Volume of pneumatic actuator	0.17 l / 0.006 ft ³
Compressed air min. – max. overpressure	4 – 7 bar / 58 – 102 psi
Compressed air connection	M5 (10-32 UNF suitable)
Actuation time	
– closing	≤ 2 s
– opening	≤ 2 s
Behavior in case of compressed air pressure drop	– Valve closed Valve remains closed (≥ 24h) – Valve open undefined – During actuation undefined
Weight	approx. 5.6 kg / 12.4 lbs

Created by: LOO	Release date: 19.01.2015	2/3
Modified by:	Release date:	783721EA



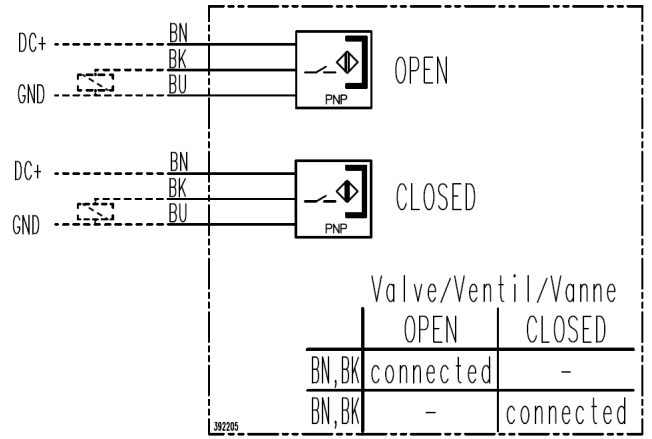
VAT Vakuumventile AG
CH-9469 Haag, Schweiz

Product data sheet
HV gate valve, Series 091, DN 63 (ID 2½'')
Ordering No. 09136-PE24

Electrical connections

Position indicator

Type PNP (NO with LED)
Voltage 10..30 V DC
Current max. ≤ 0.2 A



Wiring diagram